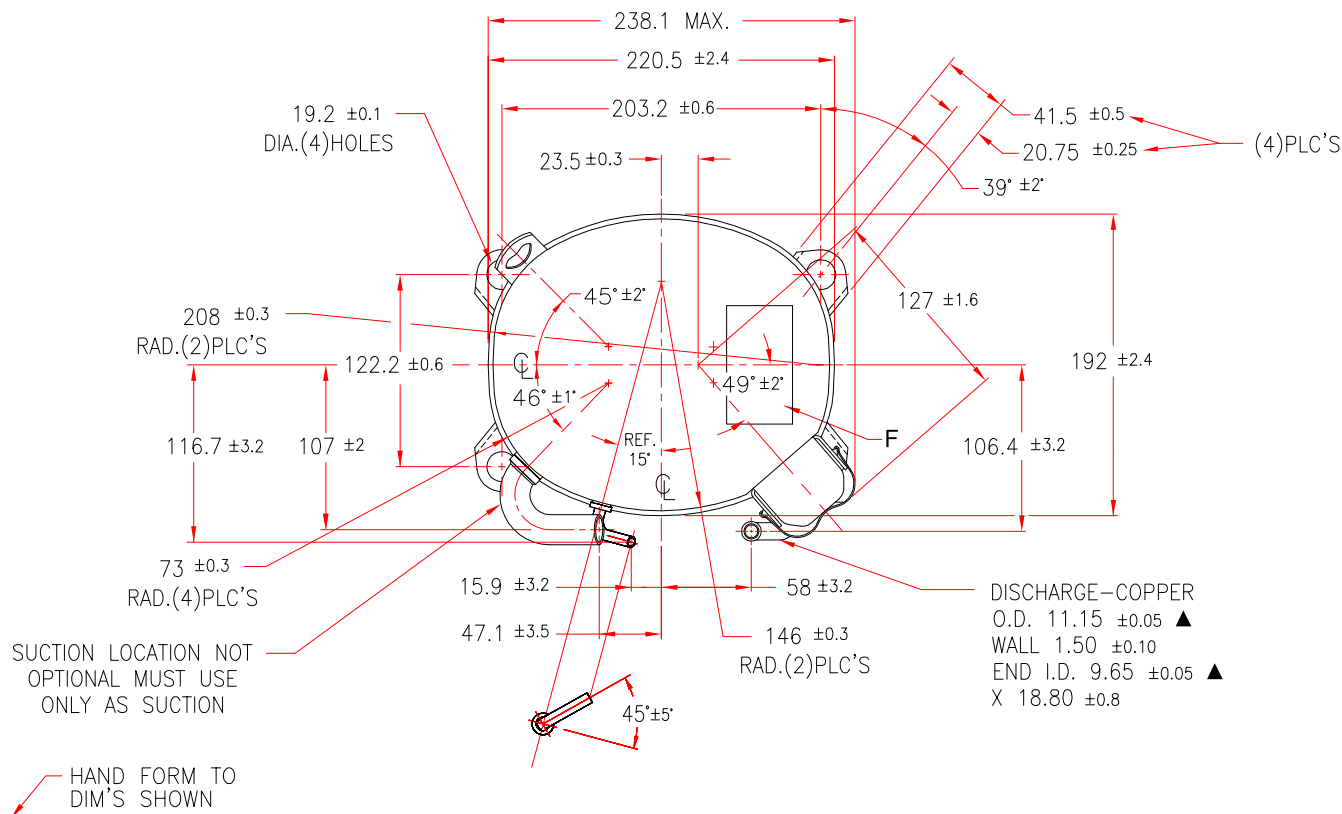
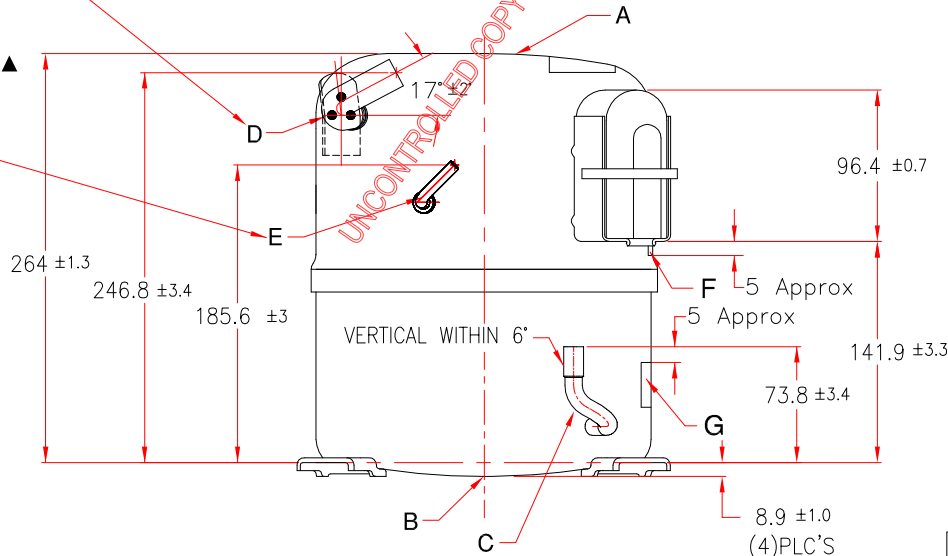


ISSUE	REFERENCE	DATE	DETAIL OF CHANGE	C/N No.	CHKD
A		12-01-15	RELEASE NEW DRAWING	0712/14	B.TRAIPHOP



SUCTION-COPPER
O.D. 15.85 ±0.05 ▲
WALL 1.50 ±0.10
END I.D. 12.85 ±0.05 ▲
X 24.35 ±0.75

PROCESS-COPPER
O.D. 8.25 ±0.05 ▲
WALL 0.80 ±0.06
END I.D. 6.65 ±0.05 ▲
X 18.80 ±0.80



QA SYMBOLS	
▲	1 ST CRITICAL
■	2 ND CRITICAL
★	3 RD CRITICAL

H	4049KEP881-B	OIL LABEL
G	4049KWP880-1	WARNING STICKER
F	KWP885Z-247	SERAIL PLATE LABEL
E	3KET245-13TU	PROCESS TUBE
D	4032KWT247-2	SUCTION TUBE
C	4032KWT231-4	DISCHARGE TUBE
B	3KWH432-4ASY	LOWER HOUSING
A	3KWH435-54TASY	UPPER HOUSING
ITEM	K.K. P/No.	DESCRIPTION

NOTE.

- IF SPECIFIED ON BILL OF MATERIAL ASSEMBLE THESE PARTS AS SHOWN.

UNLESS OTHERWISE SPECIFIED 1.AMERICAN PROJECTION (3rd ANGLE) 2.DIMENSIONS IN MM. 3.GENERAL TOLERANCES. WHOLE NUMBER ----- ±1 DECIMALS. ----- ±1 ANGLES ± 30 MINUTES. COMMERCIAL TOLERANCES APPLY FOR GAUGE TUBING AND BAR STOCK. 4.ALL CASTINGS TO BE SUPPLIED FREE FROM FLASH AND POROSITY. 5.SURFACE FINISHES SPECIFIED IN MICRO INCHES MAXIMUM 200 UNLESS NOTED.	DETAILED		MATERIAL :-	KULTHORN KIRBY PUBLIC COMPANY LIMITED 126 LADKRABANG INDUSTRIAL ESTATE BANGKOK 10520			
	DRAWN	K.PEELAPON	REF. TABLE				
	CHECKED	B.TRAIPHOP	FINISH	REF. NOTE	TITLE :- MOTOR COMPRESSOR		
	APPROVED	C.CHARUWAT	QTY.	1/ASSY			
	DATE	12-01-15	PART No.	WJ 2460Z-2 BOM ID 90U	SHEET	1	SHEET SIZE
SCALE	FREE	INTERNAL USE ONLY :-		OF	1	A4	WJ 2460Z-2 BOM ID 90U

REMOVE BURRS AND SHARP CORNERS

@SRVKKMMN\LD\DRAWING\DRAWING CAD\WJ\SALSA COMP WJ\WJ 2460Z-2 ID 90U.DWG